

# Splitters

## Eurofast® 2-Branch Splitters, Standard and LED Wiring

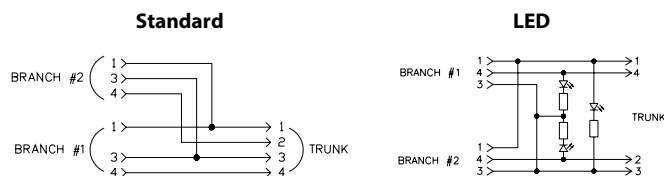
- Combine two Sensors into one Cable
- For use on Cylinders and other Dual-Input applications
- Tough TPU Construction
- For 3-wire DC Sensors or Switches



Housing	Part Number	Features	Wiring Diagram
	<b>VB2-FSM 4.4/2FKM 4</b>	250 V, 4.0 A, combine two sensors into one cable	Standard
	<b>VB2-RS 4.4T-*/2FKM 4</b>	250 V, 4.0 A, RS 4.4T = Grey PVC, 5.1 mm OD, 4x22 AWG, combine two sensors into one cable	
	<b>VB2-FSM 4.4/2RK 4T-*/**</b>	250 V, 4.0 A, Grey PVC, 5.1 mm OD, RK 4T - 3x20 AWG, combine two sensors into one cable	
	<b>VB2-RS 4.4T-*/2RK 4T-*/**</b>	250 V, 4.0 A, Grey PVC, 5.1 mm OD, RK 4T - 3x20 AWG, RS 4.4T - 4x22 AWG, combine two sensors into one cable	
	<b>VB2P3-FSM 4.4/2FKM 4</b>	10-30 VDC, 4.0 A, combine two sensors into one cable; 3 LEDs, 2 signals, PNP, 1 power	LED
	<b>VB2P3-RS 4.4T-*/2FKM 4</b>	10-30 VDC, 4.0 A, RS 4.4T = Grey PVC, 5.1 mm OD, 4x22 AWG, combine two sensors into one cable; 3 LEDs, 2 signals, PNP, 1 power	
	<b>VB2P3-FSM 4.4/2RK 4T-*/**</b>	10-30 VDC, 4.0 A, Grey PVC, 5.1 mm OD, RK 4T - 3x20 AWG, combine two sensors into one cable; 3 LEDs, 2 signals, PNP, 1 power	
	<b>VB2P3-RS 4.4T-*/2RK 4T-*/**</b>	10-30 VDC, 4.0 A, Grey PVC, 5.1 mm OD, RK 4T - 3x20 AWG, RS 4.4T - 4x22 AWG, combine two sensors into one cable; 3 LEDs, 2 signals, PNP, 1 power	

We reserve the right to make technical alterations without prior notice.

### Wiring Diagrams



## Eurofast® 2-Branch Splitters, Standard and LED Wiring

### Specifications

**Junction Body:** Oil resistant yellow TPU (non-LED)  
Translucent black TPU (LED)

**Coupling Nuts:** Nickel plated brass

**Connector:** Oil resistant TPU body material, Nylon or TPU contact carrier

**Cable:** See table

**Contacts:** Gold plated brass

**Temperature:** -40 °C to +105 °C (-40 °F to +221 °F)

**Protection:** IEC IP67

**Cable Length:** Trunk - nominal 1 meter. Branches - nominal 0.3 meters. Other lengths available by request - consult factory.

**Cable Options:** Standard cable jacket - grey PVC. TPU and other jackets available by request - consult factory.

**Connector Options:** (for legs with cable)

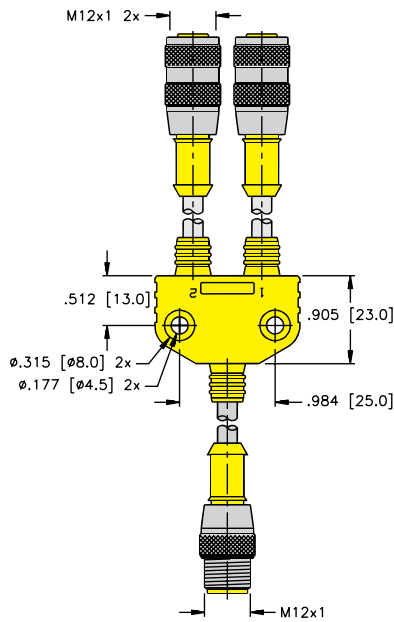
Stainless steel coupling nut add "V" to part number (RS to RSV, RK to RKV).

Nylon coupling nut add "K" to part number (RS to RSK, RK to RKK).

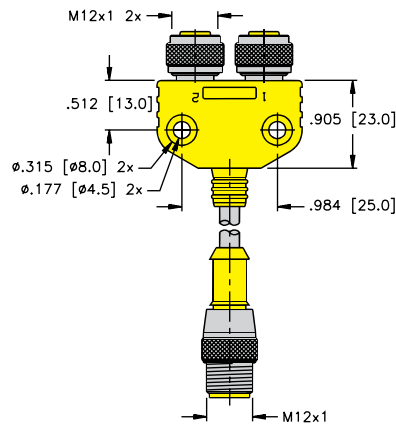
Right angle connectors, change part number (RS to WS, RK to WK).

**Notes:** Mounting hole accepts #8 screw.

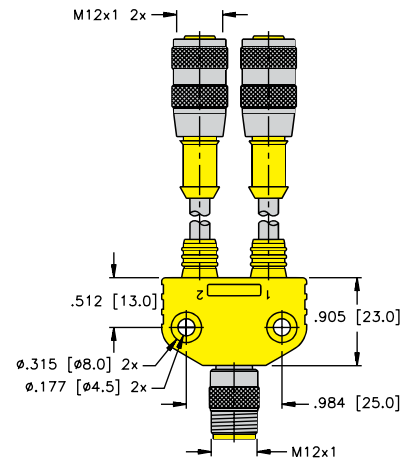
**VB2-RS 4.4T-\*/2RK 4T-\*/\***  
**VB2-PX3-RS 4.4T/2RK 4T-\*/\***



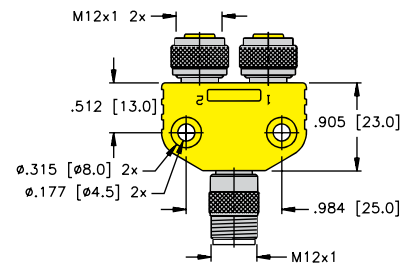
**VB2-RS 4.4T-\*/2FKM 4**  
**VB2-PX3-RS 4.4T-\*/2FKM 4**



**VB2-FSM 4.4/2RK 4T-\*/\***  
**VB2-PX3-FSM 4.4/2RK 4T-\*/\***

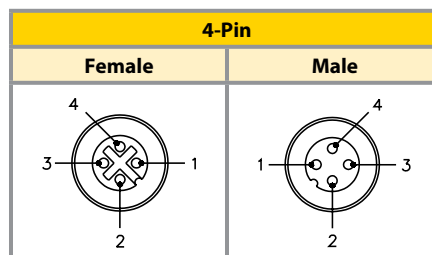


**VB2-FSM 4.4/2FKM 4**  
**VB2-PX3-FSM 4.4/2FKM 4**



We reserve the right to make technical alterations without prior notice.

### Pinouts



# Splitters

## M12 Eurofast® 2-Branch Splitters, Parallel Wiring, Shielded Option

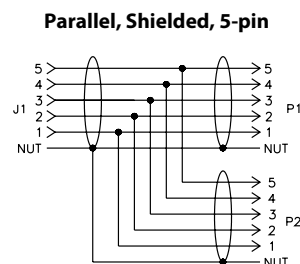
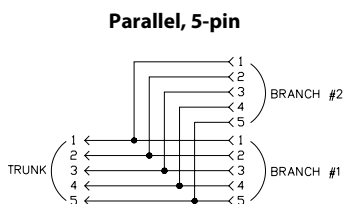
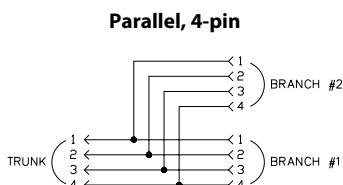
- For use on Photoelectric Controls, Power Distribution, and other Dual-Input applications
- Tough TPU Construction



Housing	Part Number	Features	Wiring Diagram
	<b>VB2-FSM 4.4/2FKM 4.4/S651</b>	250 V, 4.0 A, parallel wired, 4 conductor	Parallel
	<b>VB2-RS 4.4T-*/2FKM 4.4/S651</b>	250 V, 4.0 A, RS 4.4T = Grey PVC, 5.1 mm OD, 4x22 AWG, parallel wired, 4 conductor	Parallel
	<b>VB2-FSM 4.4/2RK 4.4T-*/S651</b>	250 V, 4.0 A, RK 4.4T = Grey PVC, 5.1 mm OD, 4x22 AWG, parallel wired, 4 conductor	Parallel
	<b>VB2-RS 4.4T-*/2RK 4.4T-*/S651</b>	250 V, 4.0 A, Grey PVC, 5.1 mm OD, 4x22 AWG, parallel wired, 4 conductor	Parallel
	<b>VB2-FSM 4.5/2FKM 4.5/S651</b>	250 V, 4.0 A, parallel wired, 5 conductor	Parallel
	<b>VB2-FSMS 4.5/2FKMS 4.5/S651</b>	250 V, 4.0 A, parallel wired, Shielded, 5 conductor	Parallel, Shielded
	<b>VB2-RS 4.5T-*/2FKM 4.5/S651</b>	250 V, 4.0 A, RS 4.5T = Grey PVC, 5.7 mm OD, 5x22 AWG, parallel wired, 5 conductor	Parallel
	<b>VB2-FSM 4.5/2RK 4.5T-*/S651</b>	250 V, 4.0 A, RK 4.5T = Grey PVC, 5.7 mm OD, 5x22 AWG, parallel wired, 5 conductor	Parallel
	<b>VB2-RS 4.5T-*/2RK 4.5T-*/S651</b>	250 V, 4.0 A, Grey PVC, 5.7 mm OD, 5x22 AWG, parallel wired, 5 conductor	Parallel
	<b>VB2-FKMS 4.5/2FSMS 4.5/S651</b>	250 V, 4.0 A, parallel wired, shielded, 5 conductor	Parallel, Shielded

We reserve the right to make technical alterations without prior notice.

### Wiring Diagrams



M12 Eurofast® 2-Branch Splitters, Parallel Wiring, Shielded Option

Specifications

<b>Junction Body:</b>	Oil resistant yellow TPU	<b>Coupling Nuts:</b>	Nickel plated brass
<b>Connector:</b>	Oil resistant TPU body material, Nylon or TPU contact carrier	<b>Cable:</b>	See table
<b>Contacts:</b>	Gold plated brass	<b>Temperature:</b>	-40 °C to +105 °C (-40 °F to +221 °F)
		<b>Protection:</b>	IEC IP67, IEC IP60 (shielded)

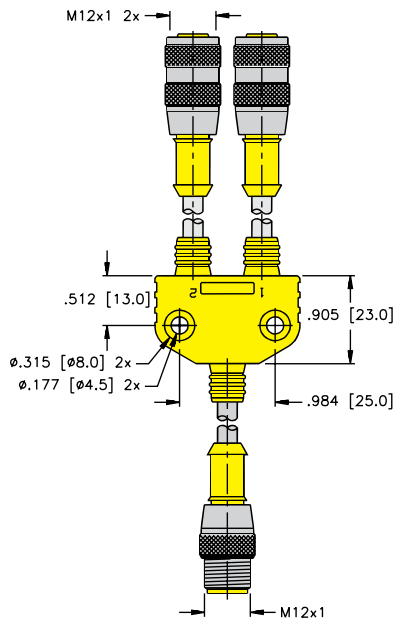
**Cable Length:** Trunk - nominal 1 meter. Branches - nominal 0.3 meters. Other lengths available by request - consult factory.

**Cable Options:** Standard cable jacket - grey PVC. TPU and other jackets available by request - consult factory.

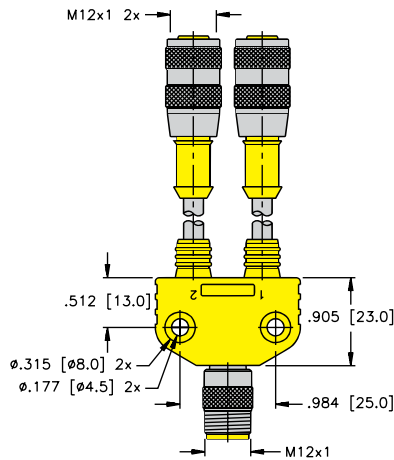
**Connector Options:** (for legs with cable)  
 Stainless steel coupling nut add "V" to part number (RS to RSV, RK to RKV).  
 Nylon coupling nut add "K" to part number (RS to RSK, RK to RKK).  
 Right angle connectors, change part number (RS to WS, RK to WK).

**Notes:** Mounting holes accept #8 screw.

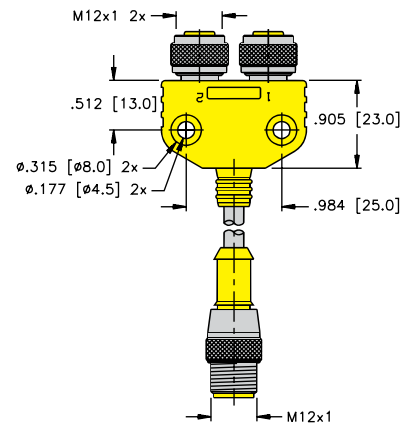
VB2-RS 4.4(5)T-\*/2RK 4.4(5)T-\*/S651



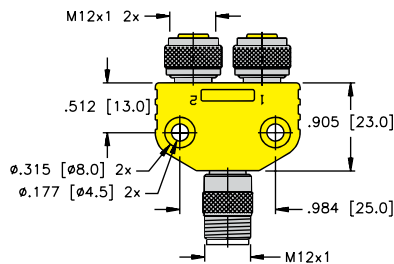
VB2-FSM 4.4(5)/2RK 4.4(5)T-\*/S651



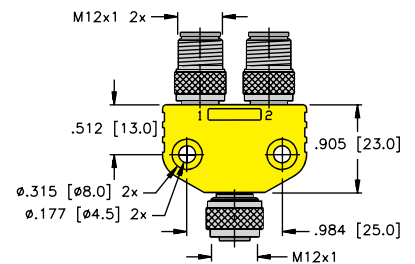
VB2-RS 4.4(5)T-\*/2FKM 4.4(5)/S651



VB2-FSM(S) 4.4(5)/2FKM(S) 4.4(5)/S651



VB2-FKMS 4.5/2FSMS 4.5/S651



We reserve the right to make technical alterations without prior notice.

Splitters

Pinout

4-Pin	5-Pin	4-Pin	5-Pin
Female		Male	

# Splitters

## M12 Eurofast® 2-Branch Splitters, Series Wiring

- Combine two Sensors into one Cable
- Series Wired
- Tough TPU Construction
- For 3-wire DC Sensors or Switches



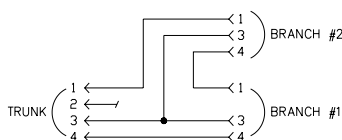
Housing	Part Number	Features	Wiring Diagram
	<b>VB2-FSM 4.4/2FKM 4/S719</b>	250 V, 4.0 A, series wired for AND function (PNP signals)	Series
	<b>VB2-RS 4.4T-*/2FKM 4/S719</b>	250 V, 4.0 A, RS 4.4T = Grey PVC, 5.1 mm OD, 4x22 AWG, series wired for AND function (PNP signals)	
	<b>VB2-FSM 4.4/2RK 4T-*/*/S719</b>	250 V, 4.0 A, RK 4T = Grey PVC, 5.1 mm OD, 3x20 AWG, series wired for AND function (PNP signals)	
	<b>VB2-RS 4.4T-*/2RK 4T-*/*/S719</b>	250 V, 4.0 A, Grey PVC, 5.1 mm OD, RK 4T - 3x20 AWG, RS 4.4T - 4x22 AWG, series wired for AND function (PNP signals)	

\* Length in meters.

We reserve the right to make technical alterations without prior notice.

### Wiring Diagrams

#### Series



M12 Eurofast® 2-Branch Splitters, Series Wiring

Specifications

<b>Junction Body:</b>	Oil resistant yellow TPU	<b>Coupling Nuts:</b>	Nickel plated brass
<b>Connector:</b>	Oil resistant TPU body material, Nylon or TPU contact carrier	<b>Cable:</b>	See table
<b>Contacts:</b>	Gold plated brass	<b>Temperature:</b>	-40 °C to +105 °C (-40 °F to +221 °F)
		<b>Protection:</b>	IEC IP67

**Cable Length:** Trunk - nominal 1 meter. Branches - nominal 0.3 meters. Other lengths available by request - consult factory.

**Cable Options:** Standard cable jacket - grey PVC. TPU and other jackets available by request - consult factory.

**Connector Options:** (for legs with cable)

Stainless steel coupling nut add "V" to part number (RS to RSV, RK to RKV).

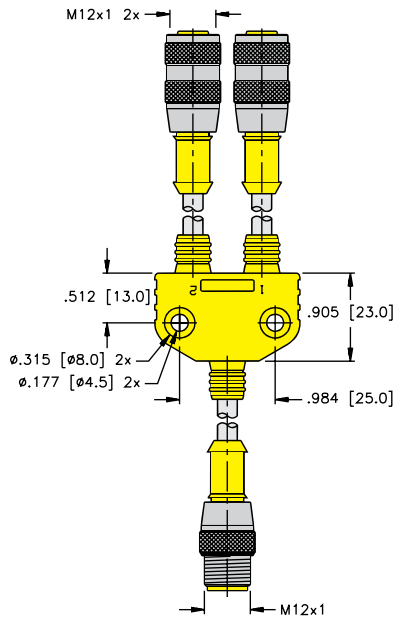
Nylon coupling nut add "K" to part number (RS to RSK, RK to RKK).

Right angle connectors, change part number (RS to WS, RK to WK).

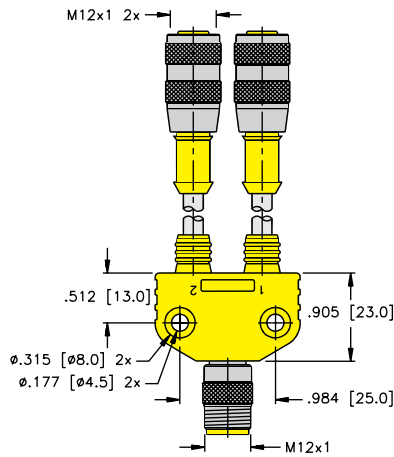
**Notes:** Mounting holes accept #8 screw.

We reserve the right to make technical alterations without prior notice.

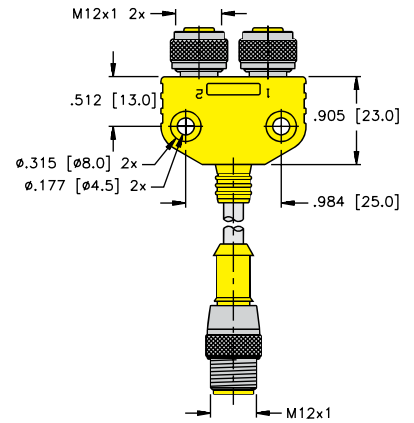
VB2-RS 4.4T-\*/2RK 4T-\*/S719



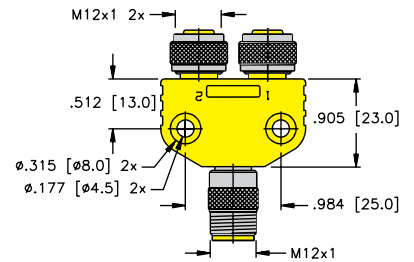
VB2-FSM 4.4/2RK 4T-\*/S719



VB2-RS 4.4T-\*/2FKM 4/S719



VB2-FSM 4.4/2FKM 4/S719



Pinouts

4-Pin Female	4-Pin Male

# Splitters

## M12 Eurofast® 2-Branch Splitters, NAMUR Wiring

- Combine two NAMUR Sensors into one Cable
- Tough TPU Construction
- For use with NAMUR Junction Boxes

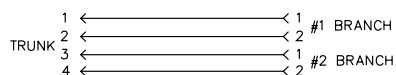


Housing	Part Number	Features	Wiring Diagram
	<b>VB2-FSM 4.41/2FKM 4.21</b>	250 V, 4.0 A, combine two NAMUR sensors into one cable	NAMUR
	<b>VB2-RS 4.41T-*/2FKM 4.21</b>	250 V, 4.0 A, RS 4.41T = Blue PVC, 5.1 mm OD, 4x22 AWG, combine two NAMUR sensors into one cable	
	<b>VB2-FSM 4.41/2RK 4.21T-*/*/</b>	250 V, 4.0 A, RK 4.21T = Blue PVC, 5.1 mm OD, 2x20 AWG, combine two NAMUR sensors into one cable	
	<b>VB2-RS 4.41T-*/2RK 4.21T-*/*/</b>	250 V, 4.0 A, Blue PVC, 5.1 mm OD, RK 4.21T – 2x20 AWG, RS 4.41T – 4x22 AWG, combine two NAMUR sensors into one cable	

\* Length in meters.

We reserve the right to make technical alterations without prior notice.

### Namur Wiring Diagram



M12 Eurofast® 2-Branch Splitters, NAMUR Wiring

Specifications

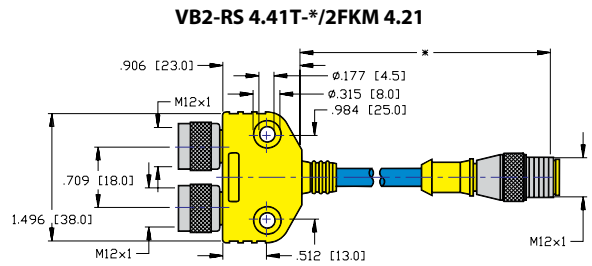
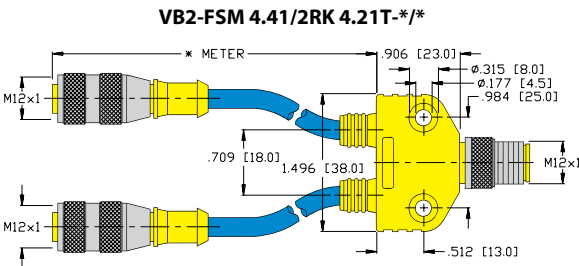
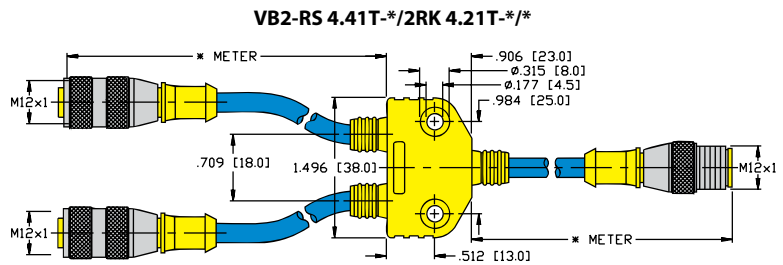
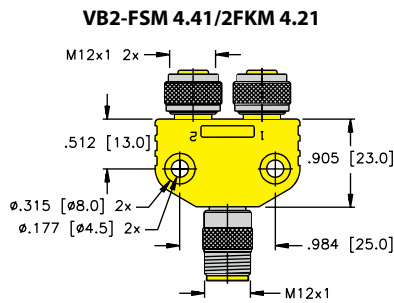
<b>Junction Body:</b>	Oil resistant yellow TPU	<b>Coupling Nuts:</b>	Nickel plated brass
<b>Connector:</b>	Oil resistant TPU body material, Nylon or TPU contact carrier	<b>Cable:</b>	See table
<b>Contacts:</b>	Gold plated brass	<b>Temperature:</b>	-40 °C to +105 °C (-40 °F to +221 °F)
		<b>Protection:</b>	IEC IP67

**Cable Length:** Trunk - nominal 1 meter. Branches - nominal 0.3 meters. Other lengths available by request - consult factory.

**Connector Options:** (for legs with cable)  
 Stainless steel coupling nut add "V" to part number (RS to RSV, RK to RKV).  
 Nylon coupling nut add "K" to part number (RS to RSK, RK to RKK).  
 Right angle connectors, change part number (RS to WS, RK to WK).

**Notes:** Mounting holes accept #8 screw.

We reserve the right to make technical alterations without prior notice.



Pinouts

